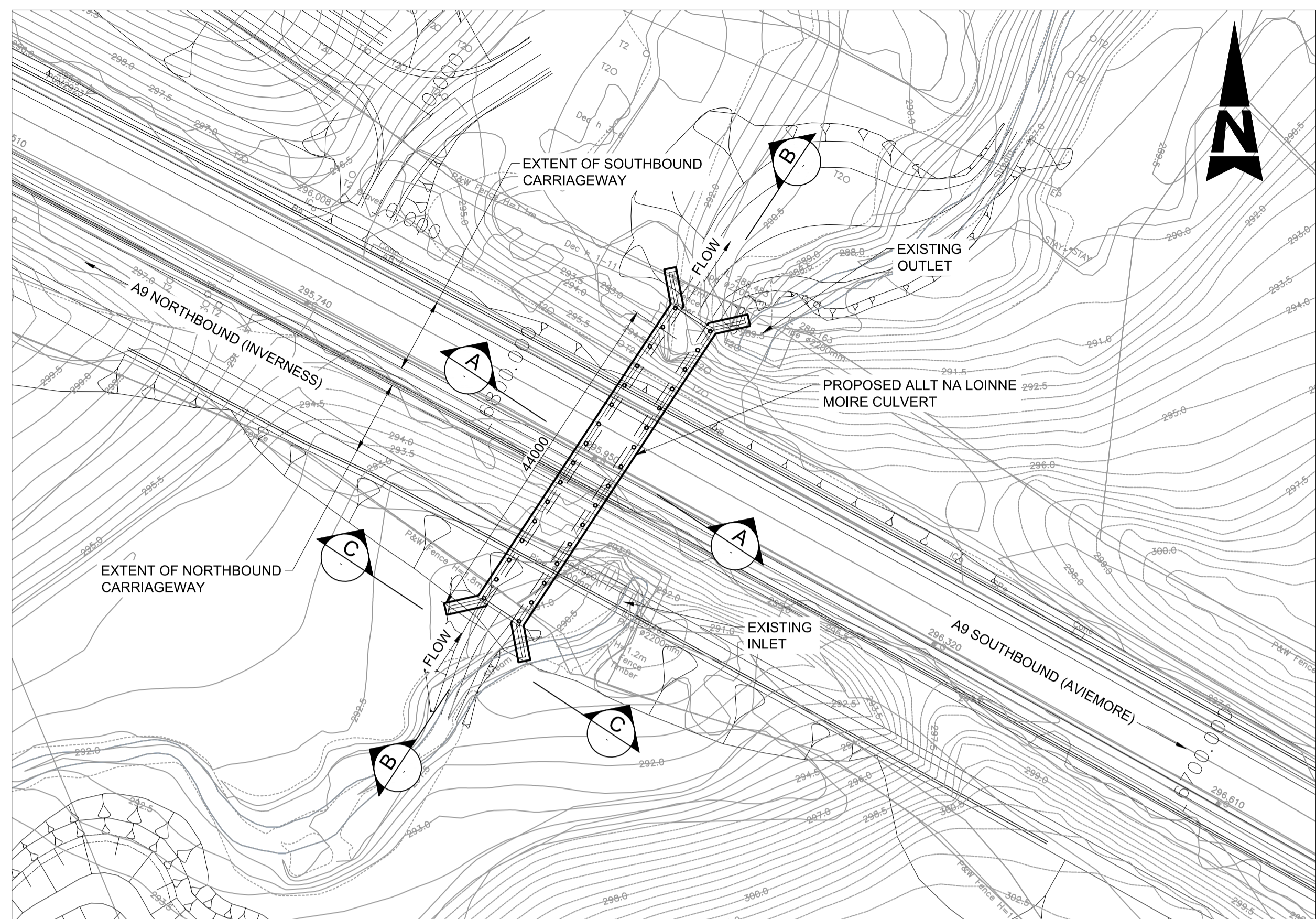
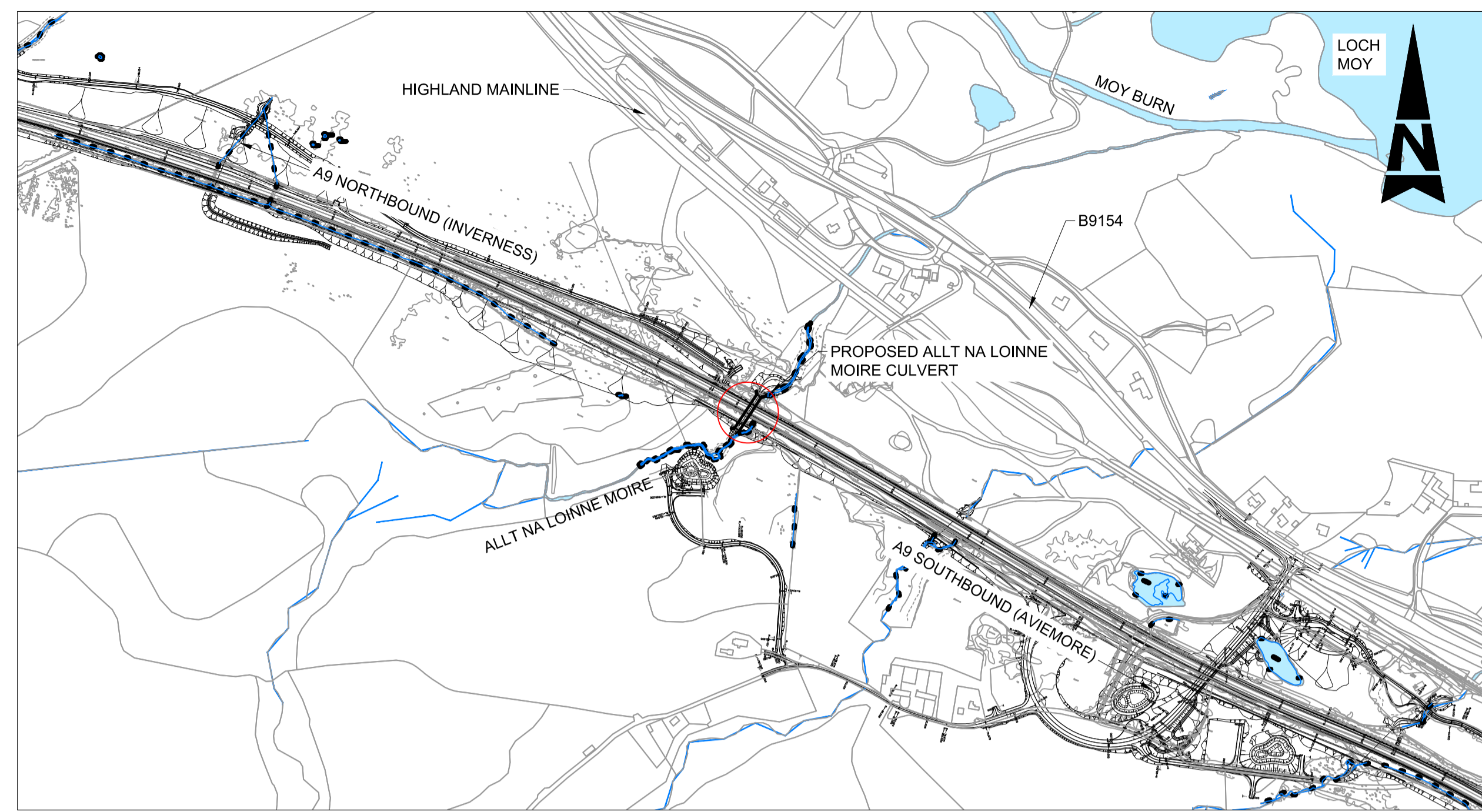


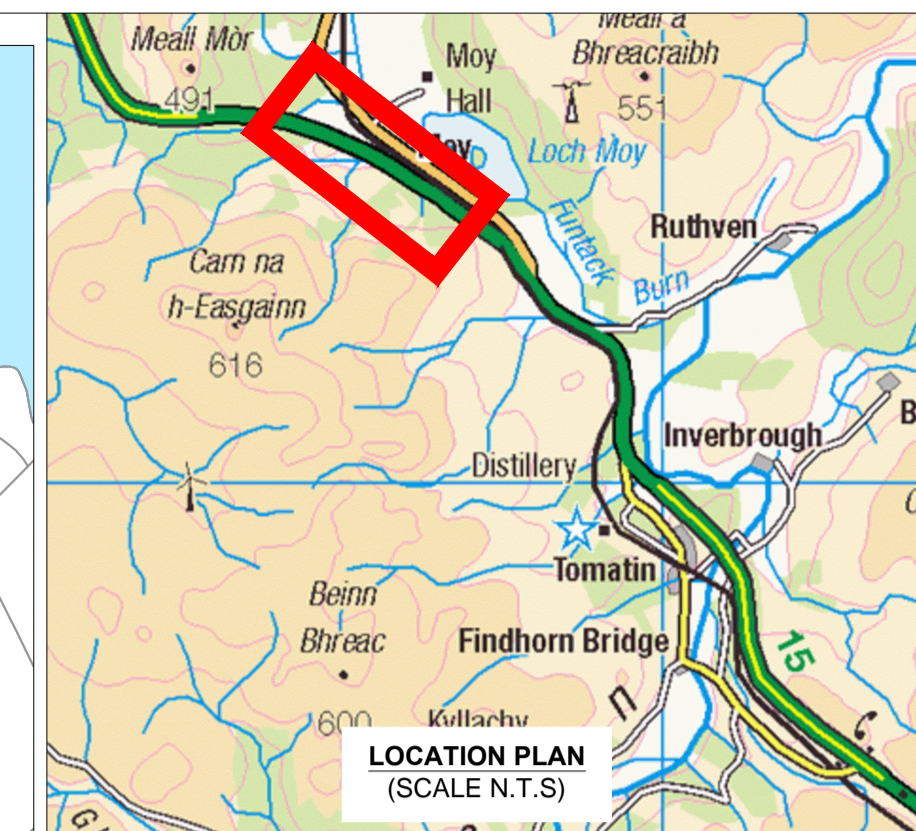
100
Millimetres
0 10
DO NOT SCALE



PLAN
SCALE 1:500



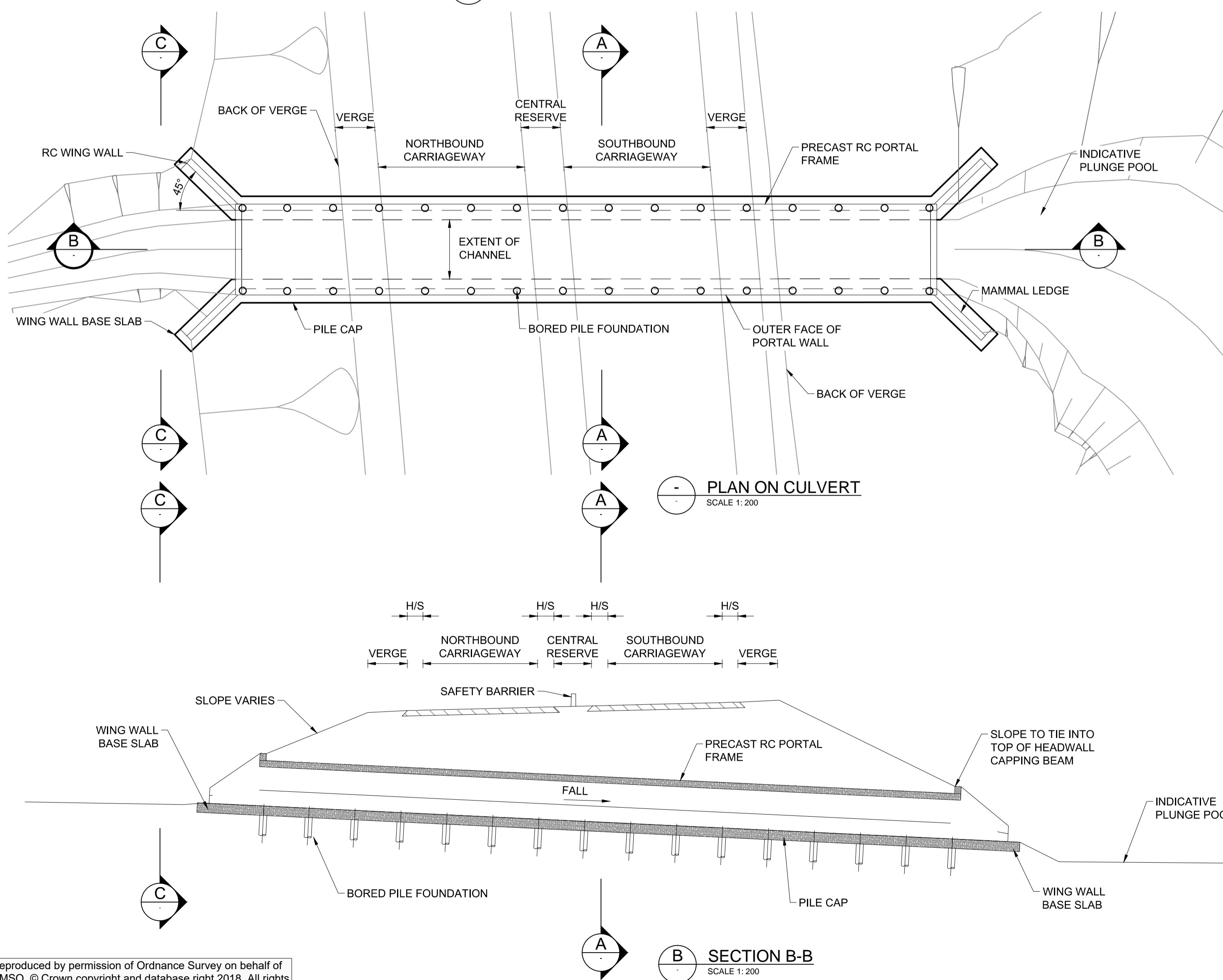
LOCATION PLAN
SCALE 1:5000



- NOTES:
1. ALL DIMENSIONS ARE IN MILLIMETRES UNLESS STATED OTHERWISE.
 2. THIS DRAWING IS TO BE READ IN CONJUNCTION WITH THE ENVIRONMENTAL STATEMENT.
 3. THIS DRAWING IS A STAGE 3 GENERAL ARRANGEMENT AND IS SUBJECT TO CHANGE.

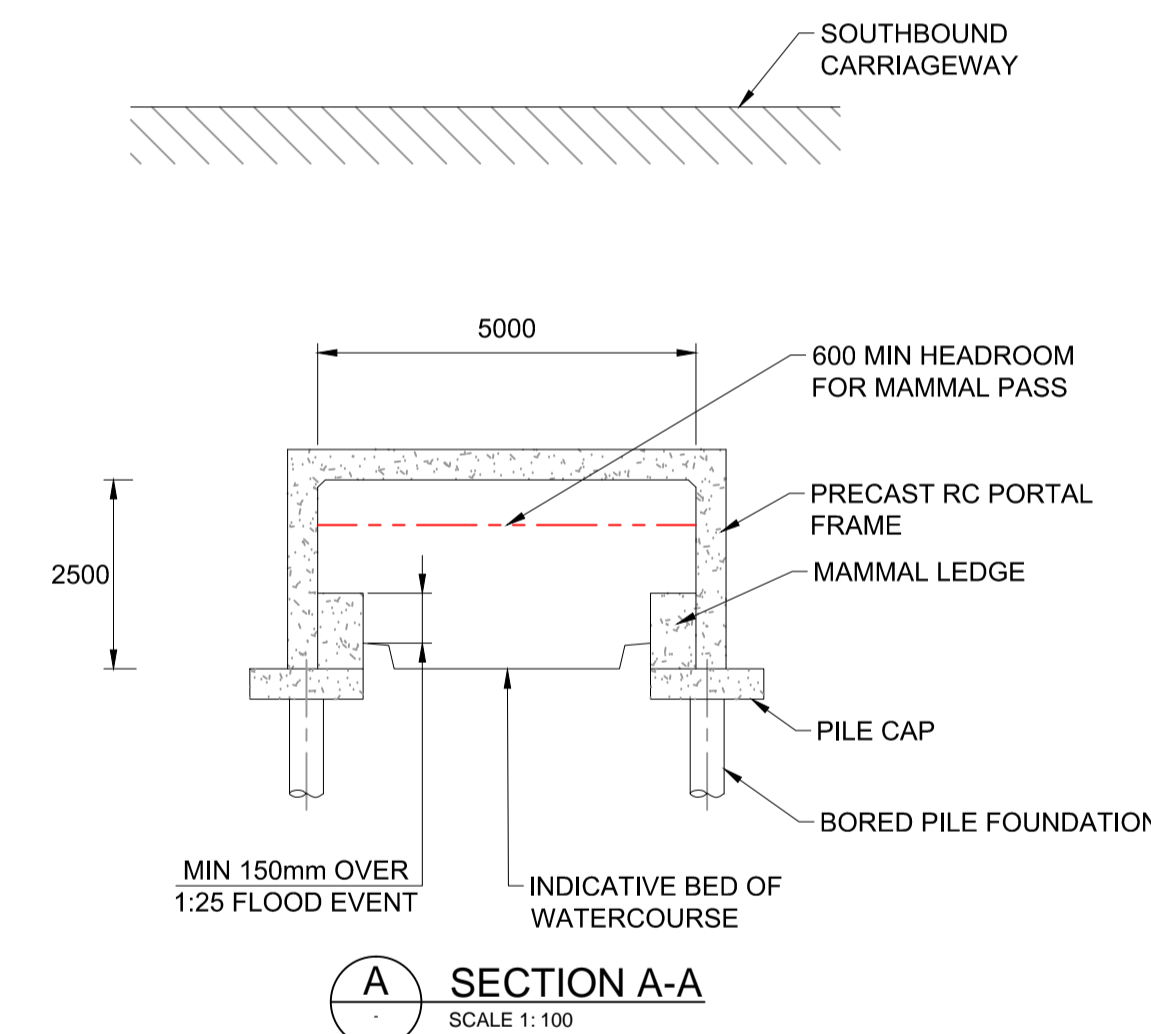
KEY:

EXISTING WATER COURSES & STREAMS

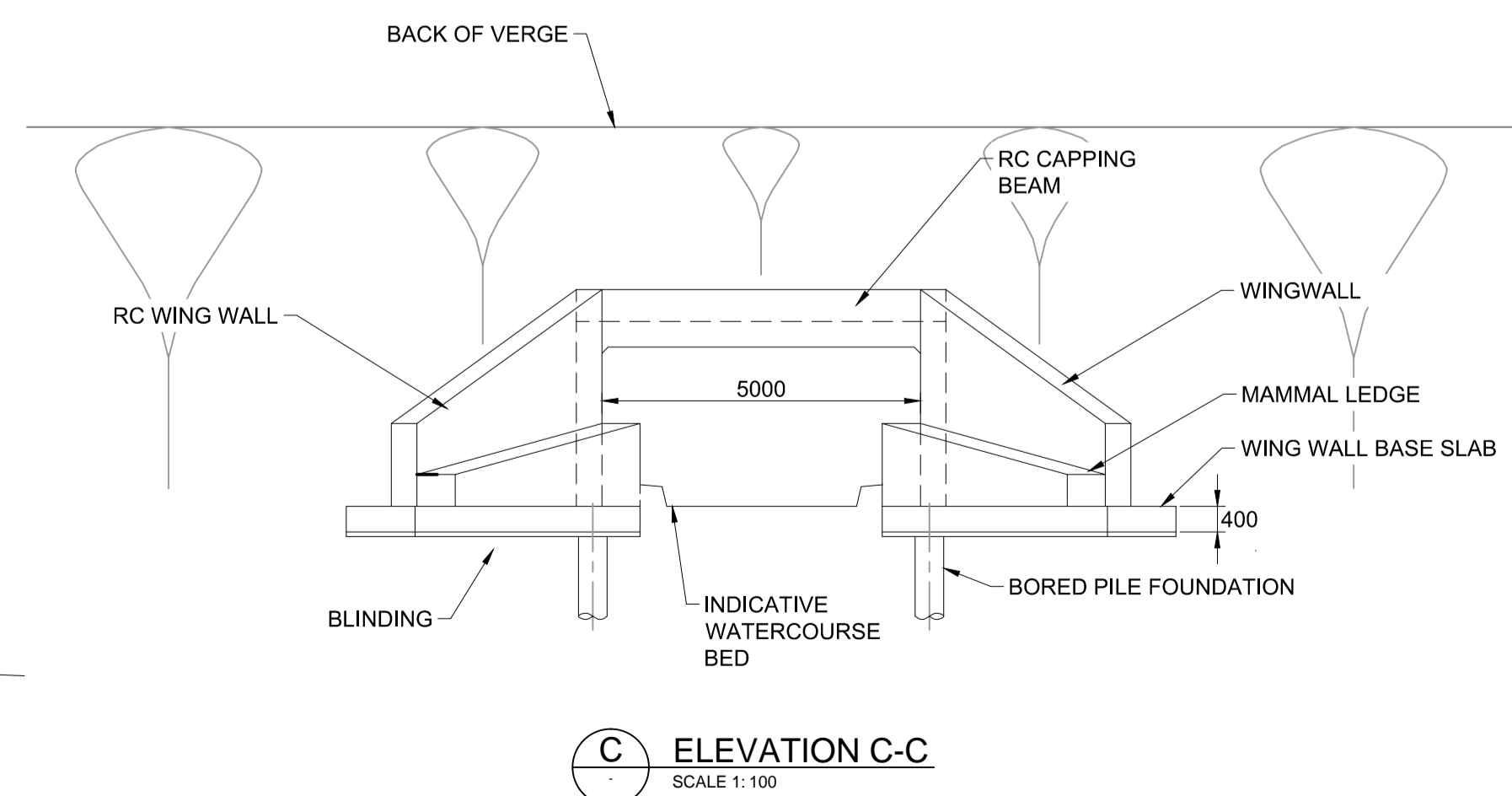


PLAN ON CULVERT
SCALE 1:200

SECTION B-B
SCALE 1:200



SECTION A-A
SCALE 1:100



ELEVATION C-C
SCALE 1:100

P01	RC	GA	RB	30/03/18
FIRST ISSUE				
Rev	Drawn / Des	Checked	Approved	Date
Description				Suitability
FINAL				B

Client
TRANSPORT SCOTLAND
COMHDHAIL ALBA



ATKINS mouchel

Drawing Title				
FIGURE 5.12 A9 1273 C8 ALLT NA LOINNE MOIRE CULVERT INDICATIVE ARRANGEMENT				
Scale	Designed / Drawn	Checked	Approved	Authorised
1:1	RC	GA	RB	SB
Original Size	Date	Date	Date	Date
A1	30/03/18	30/03/18	30/03/18	30/03/18
Drawing Number	Project	Originator	Volume	Revision
	A9P12 - AMJ - HML -			P01
	A_MLALM_CV - DR - ST - 0002			
Location	Type	Role	Number	

Plotted: Apr 03, 2018 - 1:49pm by: UKSMY800

Reproduced by permission of Ordnance Survey on behalf of HMSO. © Crown copyright and database right 2018. All rights reserved. Ordnance Survey Licence number 100046668.